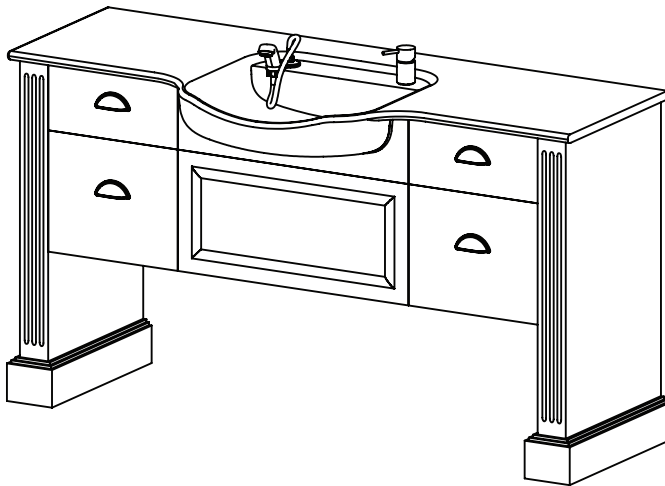


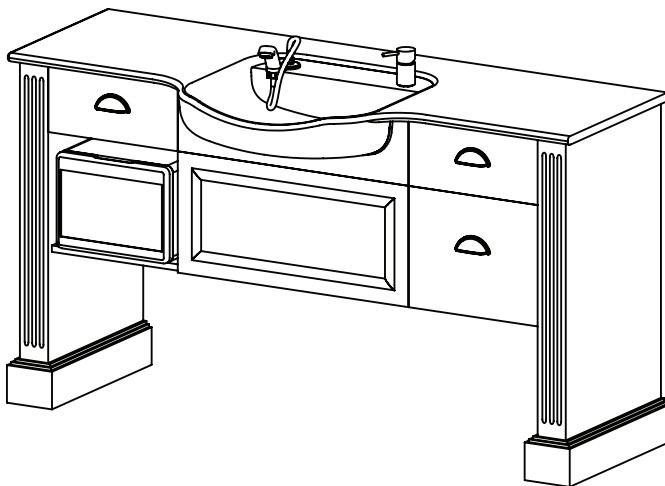
Dover

Operation / Installation manual

Dover



Dover with Mini Cabi



Contents

Preparation before Installation (Specification Drawings)	2
Usage condition	3
Parts List / Accessory Parts	3
Installation Procedure	4
Safety Precautions	6
Precautions for Use	8
Care and Maintenance	9

To the installer

- The instructions should be thoroughly read and understood before installation to ensure that Dover is installed correctly.
- After installation, give these instructions to the customer.

To the customers

- Customers must ask professional to install Dover.
- Customers must not install Dover by themselves.
- Customers must store these instructions in a safe place so as not to lose them.

* The actual shape of Dover and the images and dimensions listed in these instructions may be modified and are subject to change without notice.

- The precautions listed here are to ensure that Dover can be installed safely, and to prevent any danger or risk to the person installing Dover or those around them. All of these precautions are important for safety. Takara Belmont is not responsible for any damage or risk to the person installing Dover or those around them due to accidents if Dover is installed without adhering to the precautions.

Caution

If Dover is installed after ignoring this symbol, "there is the risk of light or moderate injury or physical damage".

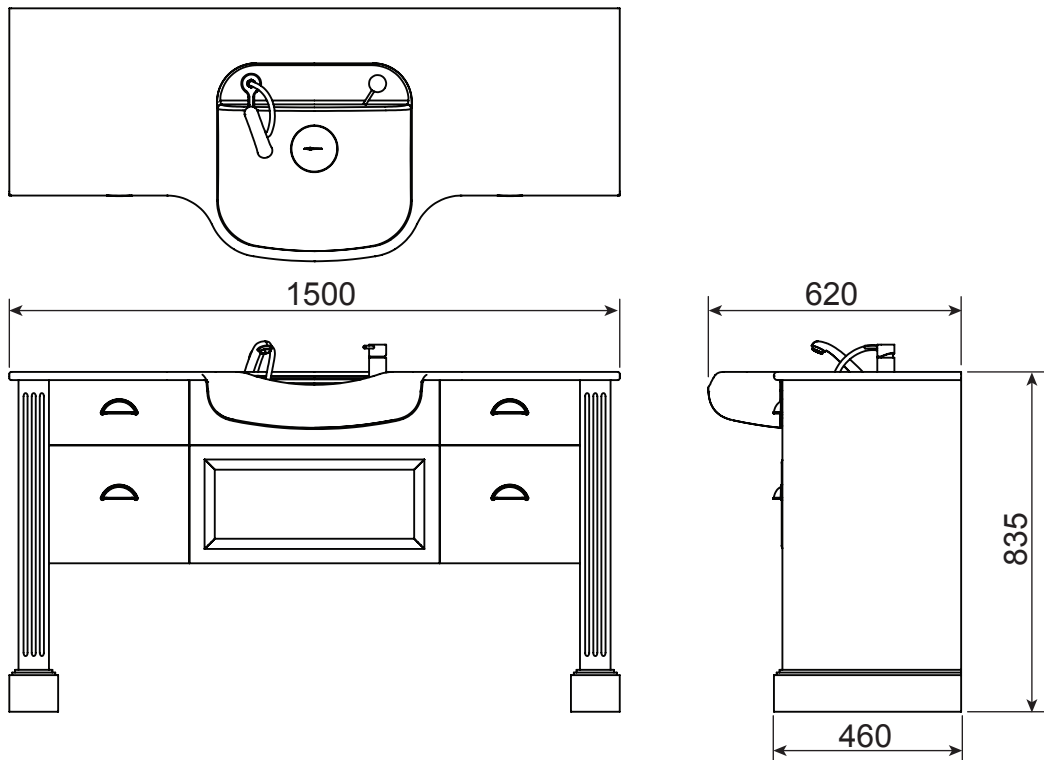
Note : Plumbing should be performed by a qualified technician and should meet all national and local plumbing codes and ordinances. It is the responsibility of purchaser and/or plumber to conform to national and local codes and ordinances. Takara Belmont does not take any responsibility or liability for plumbing and installation.

Preparation before Installation

- Prior to installation, determine the installation position of the product referring to the following drawings.
- Installation Instruction of water tap included in the package should be thoroughly read and understood before use.
- Raise the drain pipe, the water supply pipe, and the hot water supply pipe referring to the following plumbing layout.

<Dimensions>

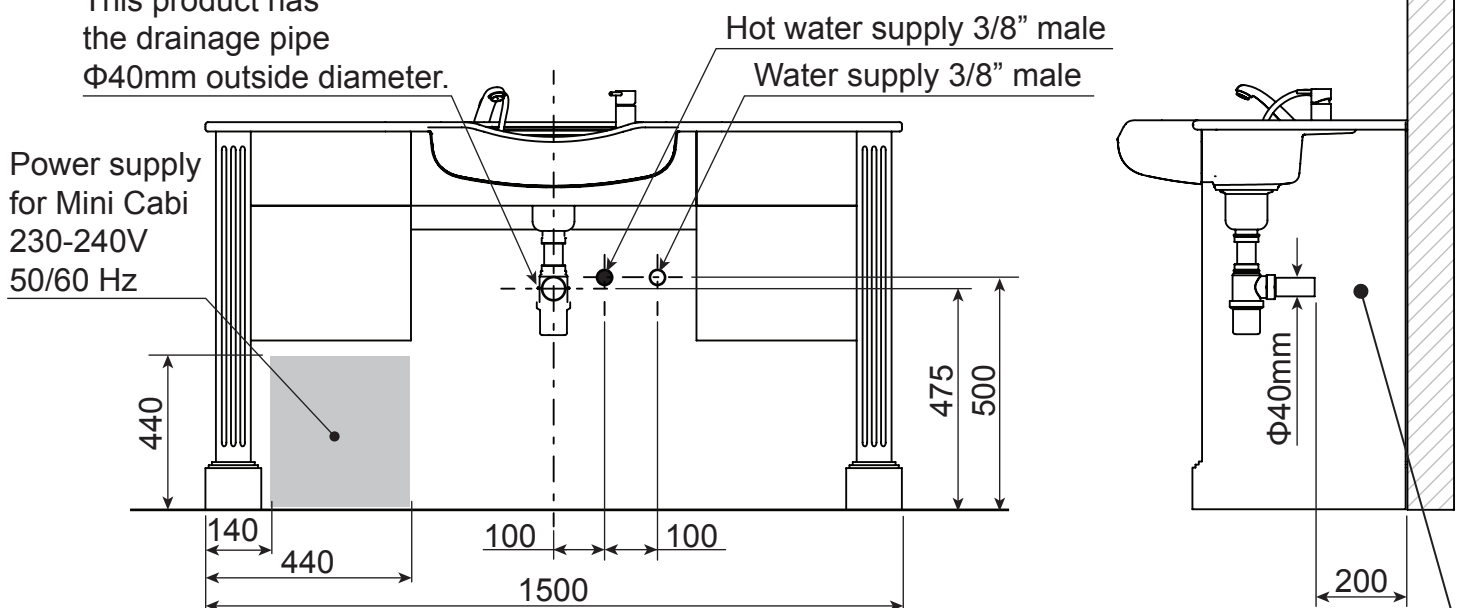
[mm]



•Dimensions above may vary in size slightly.

<Plumbing Layout / Power supply>

This product has the drainage pipe $\Phi 40\text{mm}$ outside diameter.



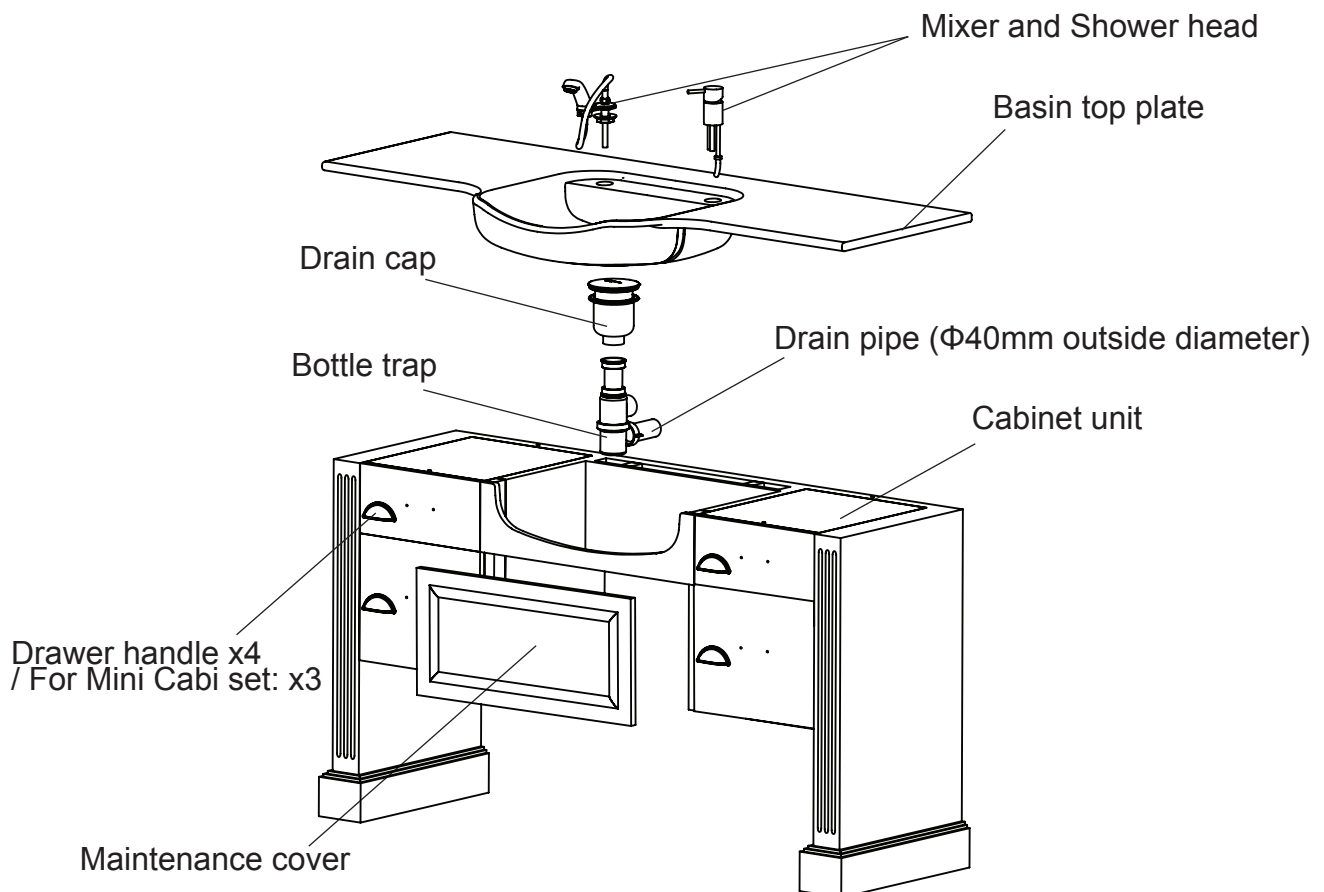
*Drainage pipe $\Phi 40\text{mm}$ inner diameter needs to be installed in advance.

Usage Condition

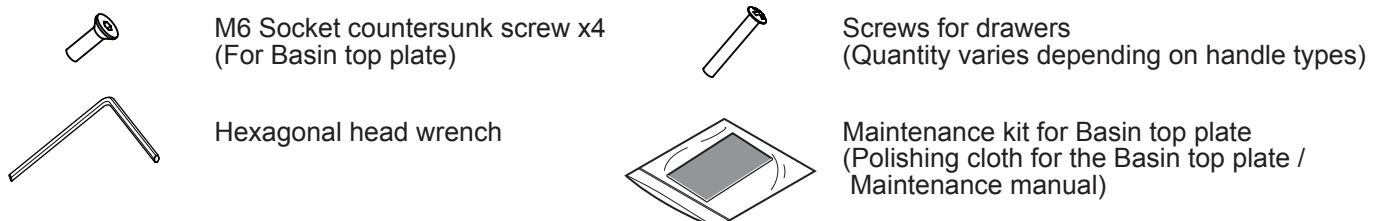
Hot water supply and water supply conditions

Water used	<ul style="list-style-type: none"> •Public water supply (do not use non-drinkable well water or water that contains rust or sand.) •If the water hardness is 80 ppm or higher, install a water softener to prevent the buildup of scale within the basin body. Aeration may be minimal when using shampoo even if drinkable well water is used, so a water softener should be installed.
Hot water supply, water supply pressure	<ul style="list-style-type: none"> •Use a pressure between 0.1 and 0.4MPa(1 - 4kgf/cm² / 1 - 4 bar). •Set the water supply pressure ≥ hot water supply pressure. •Set the difference between the hot water supply pressure and water supply pressure to within 0.2MPa(2kgf/cm² / 2 bar)
Hot water temperature into the product	<ul style="list-style-type: none"> •Set the hot water temperature to 65 °C or less. •Set the temperature 10 °C or higher than the shower temperature used.
Water boiler	<ul style="list-style-type: none"> •Do not use steam with the hot water supply

Parts List / Accessory Parts

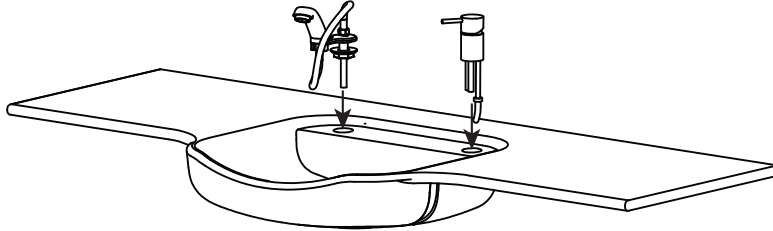


<Accessory parts>

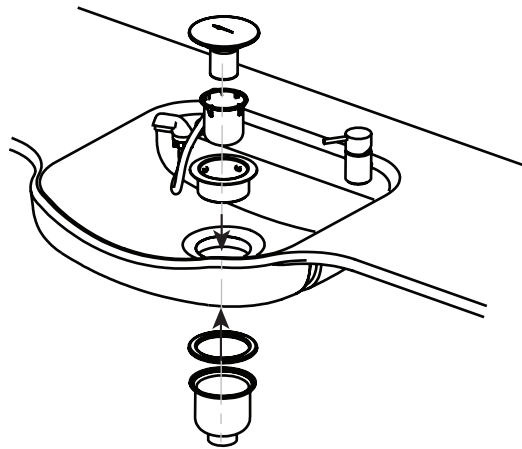


Installation Procedure

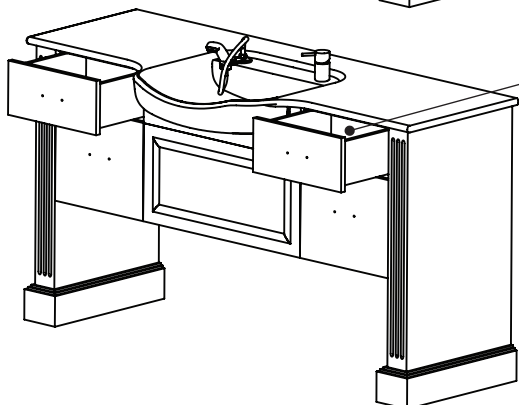
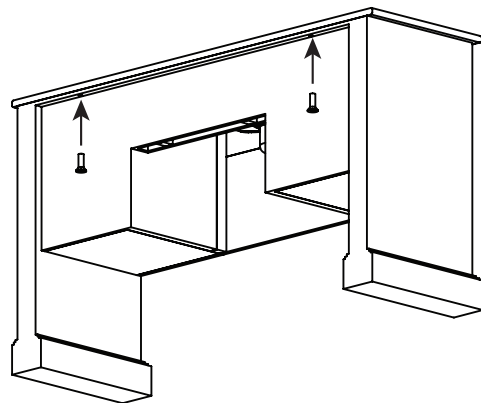
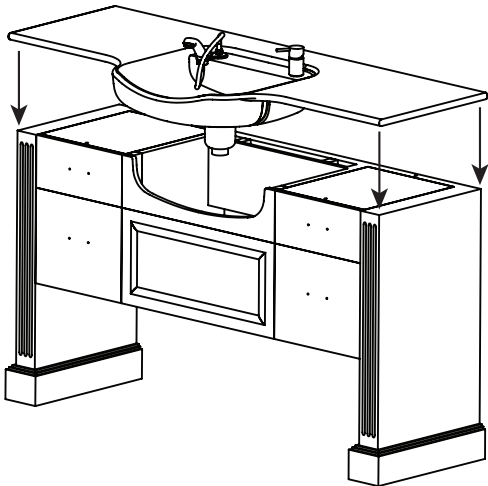
1. Before installation, with reference to the plumbing layout and the dimensions in this manual, raise the water supply pipe, hot water supply pipe and drainage pipe.
2. Fix the Mixer and Shower head on the Basin top plate with reference to the manual included in the package of the Mixer and Shower head.



3. Fix the Drainage cap on the Basin top plate.



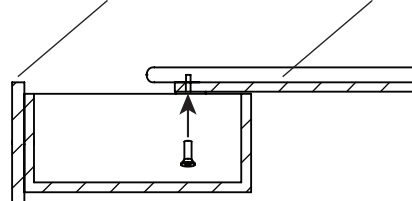
4. Lower the Basin top plate onto the Cabinet unit carefully.
Then fix them with 4x M6 Socket counter screw from underneath as below.



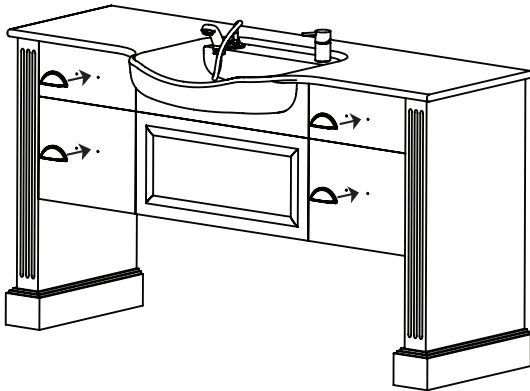
Cross sectional view

Drawer

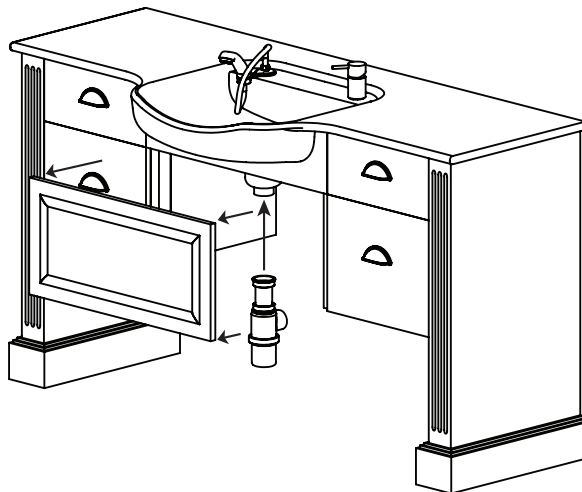
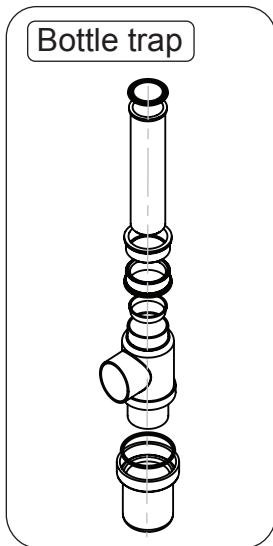
Basin top plate



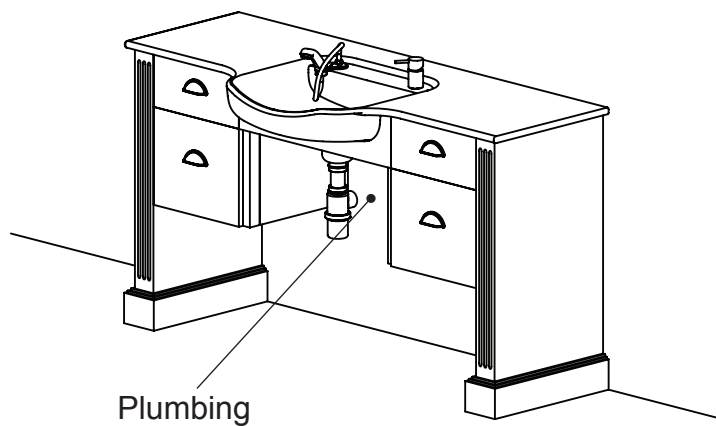
5. Fix the Drawer handles to each drawers with screws provided.
(Fixing ways vary depending on the handle types.)



6. Assemble the Bottle trap.
Then detach the Maintenance cover and fix the Bottle trap to the Drain cap.



7. Place the Cabinet unit on the desired place.
Then plumb the water supply pipe, the hot water supply pipe and the drainage pipe.



8. Re-attach the Maintenance cover. / Installation completed.

Description of Warning Symbols

■ Before using this product

The "Safety Precautions", "Precautions for Use" should be thoroughly read and understood before use.

■ Precautions listed here








The precautions listed here are to ensure that this product can be used safely, and to prevent any danger or risk to the person using this product or those around them.

These precautions are important for ensuring safety. Adhere to these precautions at all times. Takara Belmont is not responsible for any damage or risk to the person using this product or those around them due to accidents if this product is used without adhering to the "Safety Precautions", "Precautions for Use".




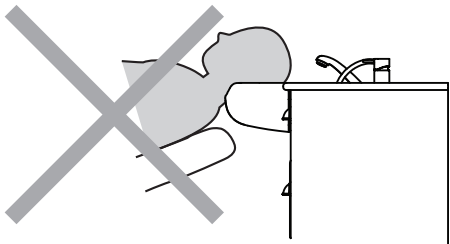
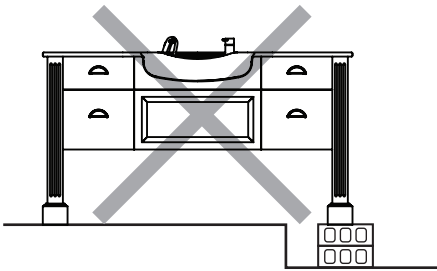
In this case, the person failing to adhere to the "Safety Precautions", "Precautions for Use" will be responsible for any damage or risk incurred. Detailed descriptions of symbols are provided below.

Read and understand these symbols thoroughly before reading this manual.

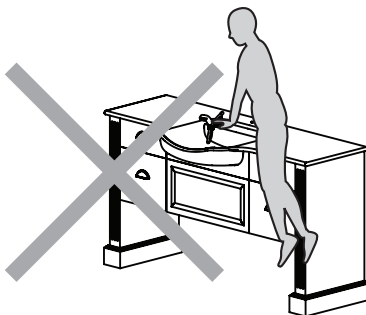
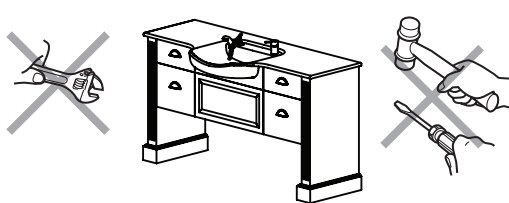
■ Symbols

 Warning	If this symbol is ignored and the product is used, "there is the risk of death or serious injury to the user".
 Caution	If this symbol is ignored and the product is used, "there is the risk of light or moderate injury or physical damage".
Note	Description of "ideal points to adhere to for safety".
 Common danger, warning and caution notifications  Guidance or instruction regarding common user actions  Common prohibited actions	 Notification of high temperature warning CAUTION Hot water  Prohibited disassembly or repairs/modifications Disassembly Prohibited

Safety Precautions (Adhere to these precautions at all times)

 Warning	
 Do NOT use this product for back wash shampooing. This product is designed only for front wash shampooing.	 Install on a stable area Install the main body on a flat, firm floor, and fix it securely. Failure to follow this instruction may cause the main body to fall over.
	

⚠ Warning

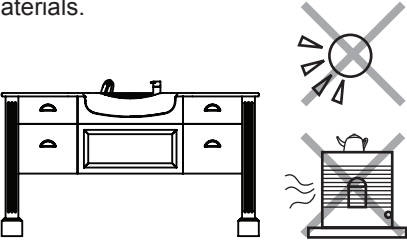
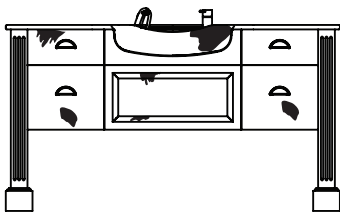
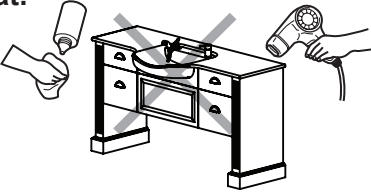
<p>⚠ Adjust the water temperature while checking the temperature by hand.</p> <p>When adjusting the temperature of the water, reduce the volume of water, point the shower head away from the customer and check the temperature by hand. Take care when doing so, as hot water may come out of the shower head.</p>	<p>⚠ Do not use hot water (boiling water) of 60 °C or higher.</p> <p>CAUTION Hot water Using hot water of 60 °C or higher may deform or damage the parts such as the basin, shower head and water stop knob.</p>
<p>⊘ Do not climb on this product. Do not lean on the basin.</p> 	<p>⊘ Disassembly and repairs/modifications are prohibited.</p> <p>Disassembly Prohibited Disassembly, repairs and modifications must not be conducted by people other than qualified repair technicians.</p> 

⚠ Caution

<p>⊘ Do not drink the hot water.</p> <p>This product is designed for washing hair. Do not drink the hot water.</p>	<p>⊘ Do not touch the hot water supply pipe or mixing pipe.</p> <p>The hot water supply pipe or mixing pipe may become very hot. Do not touch the pipes directly.</p>
<p>⊘ Do not use this product if the coating is peeling.</p> <p>Replace the water taps if the coating is peeling. Continuing to use this product when the coating is peeling may cause injury.</p>	<p>⊘ Do not use outdoors.</p> <p>This product is designed for indoor use. Do not install this product outdoors or within a vehicle. Be sure to only use this product inside barbers or hair salons. Failure to follow this instruction may cause malfunctions or damage to the product.</p>
<p>⊘ Do not spray areas except for the basin with water.</p> <ul style="list-style-type: none"> ● Take care not to spray areas other than the basin with water. If water does come in contact with areas other than the basin, wipe them dry as soon as possible. Water entering the main body may cause malfunctions or a ground leakage fire. ● Take care not to allow water to drip on the floor. If water does drip on the floor, wipe it dry as soon as possible. Failure to follow this instruction may damage the floor, or cause water leakage. 	<p>⊘ Only use this product for its intended purpose and do not use it for non-hairdressing work.</p> <p>This product is an industrial product designed for barbers and hair salons. Only use this product for its intended purpose and do not use it for non-hairdressing work.</p>
<p>⊘ Do not use the product in a place where freezing is expected.</p> <p>Failure to take this precaution may result in breakage of parts, thus resulting in water leaks. Repair of breakage due to freezing will result in fees being charged even during the warranty period. If freezing is expected, maintain the room temperature at 0°C or above by using a heater.</p>	<p>⊘ Do not subject the unit to shocks.</p> <p>Do not subject the unit to shocks. Failure to follow this instruction may cause damage, leading to injury.</p>
<p>⊘ Do not turn the water fully on with the shower head in the shower head bracket.</p> <p>Failure to follow this instruction may cause water to spill out of the basin, covering the customer with water. When turning the water on with the shower head in the shower head bracket, check the surrounding area and turn the water stop knob slowly.</p>	<p>⊘ Do not turn the water fully on with the shower head in the shower head bracket.</p> <p>Failure to follow this instruction may cause water to spill out of the basin, covering the customer with water. When turning the water on with the shower head in the shower head bracket, check the surrounding area and turn the water stop knob slowly.</p>

Precautions for Use

⚠ Caution

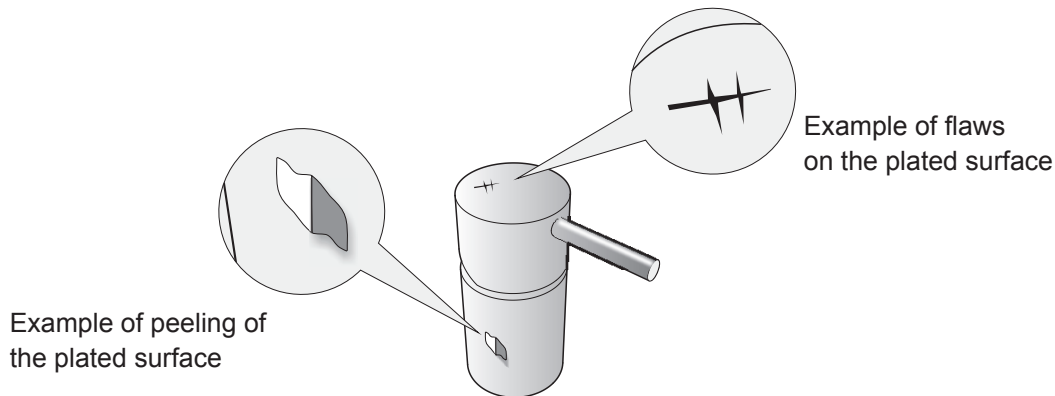
<p>! Always wipe the floor clean if it is wet.</p>	<p>⊘ Do not use peppermint or aroma oil.</p> <p>Do not use peppermint or aroma oil containing menthol. Failure to take this precaution may damage the resin parts, such as the showerhead, shower hose, hair catcher, and drain cap.</p>
<p>! Avoid direct sunlight or heat from a stove.</p> <p>Avoid direct sunlight or heat from a stove. Failure to follow this instruction may cause discoloration or degradation of the wood body and resin materials.</p> 	<p>! If chemicals spill on to this product, wipe them dry as soon as possible.</p> <p>If chemicals such as hair dyes spill on to this product, wipe them dry as soon as possible.</p> 
<p>! After use, wipe water away from all parts except for the basin.</p> <p>Leaving the main body with water on it may cause damage, and make dirt difficult to remove.</p>	<p>⊘ Do not cover the drain outlet when this product is not going to be used.</p> <p>Do not cover the drain outlet after finishing the work. Water may overflow the basin when water is improperly discharged or a small amount of hot water is discharged due to an increase in water pressure during the night, resulting in water leaks.</p> <p>Be sure to remove the trap cover from the drain outlet when the product is not in use.</p>
<p>⊘ Do not use an abrasive compound on the metal surfaces and wood surfaces.</p>	<p>⊘ Do not use strongly acidic or strongly alkaline cleaning solvents.</p> <p>Do not use cleaning solvents containing mainly caustic soda (NaOH) or caustic potash (KOH) to clean the drain pipe. Never pour thinners, alcohol, nail polish remover, gasoline or kerosene into the drain.</p>
<p>⊘ Do not wipe with chemicals or apply heat.</p> 	<p>! Pay attention to maintenance methods.</p> <p>Be sure to execute daily maintenance according to the section "Maintenance" on page. In the case of insufficient or improper maintenance or when periodically replaced parts are not replaced, the customer shall be responsible for any harm, damage, or defects that result; our company shall not assume responsibility.</p>
<p>⊘ Do not leave the shower head immersed in water.</p> <p>If pressure in the water pipes decreases due to repairs that follow water stoppages, the water in the basin may flow back through the shower head.</p>	<p>⊘ Do not drop heavy objects on to the Basin top plate.</p> <p>Do not place or drop heavy objects on to the Basin top plate. Failure to follow this instruction may cause damage such as scratches or cracks to the basin.</p>

Precautions on Resin (Plated) Parts

- Resin plating is adopted for part of the Mixer and Shower head and the Drain cap.
 - Plating is a thin, hard metal film applied to the surface that may crack or peel due to corrosion or aged deterioration.
 - Flaws or cracks may occur on the plated surface due to impacts from falling objects.
 - Flaws or cracks may occur on the plated surface when a hard object hits the surface.
 - Peeling of the plating may occur from flaws or cracks on the plated surface.

Caution

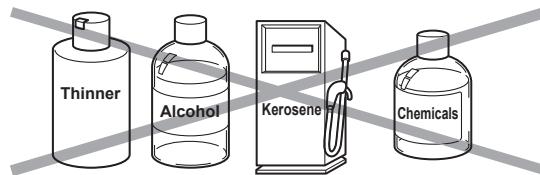
Check to ensure that there are no flaws, cracks, or peeling of the plated surface before using the product. If peeling is observed, immediately stop using the product and contact your closest dealer or Takara Belmont. Continued operation may result in injuries.



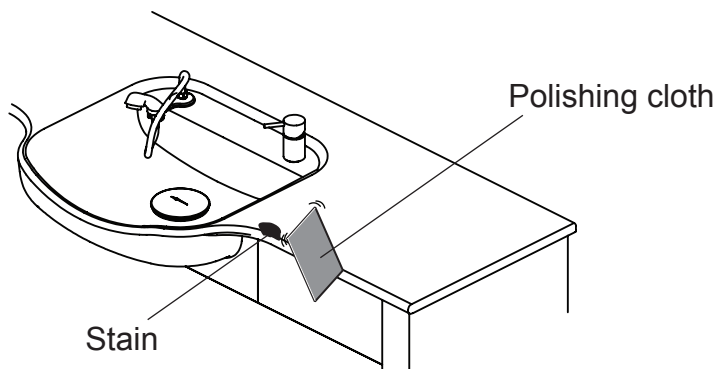
Care and Maintenance

Caution

Never use volatile chemicals such as thinners, alcohol, gasoline or kerosene, detergents that include organic solvents, acidic, alkaline or chlorine-based detergents. Failure to follow this instruction may cause scratches or discoloration.



- Dust the surface and remove stain.
 - Wipe the surface with soft and dry cloth. If the stain is hard to remove or oil is spotted, wipe with cloth soaked in diluted neutral detergent and wringed. Then wipe it with dry cloth.
- If the Basin top plate get stains, rub and remove it softly with the polishing cloth supplied with this product.
Do NOT use the polishing cloth on surfaces except for the Basin top plate.



TAKARA BELMONT

TAKARA BELMONT (UK) LTD.
BELMONT HOUSE, ONE ST. ANDREWS WAY, BOW
LONDON E3 3PA, UNITED KINGDOM
[http:// www.takahairdressing.co.uk](http://www.takahairdressing.co.uk)
TEL: +44 (0)20 7515 0333